

# WIRING DIAGRAM 156-649



www.kirkkey.com

Luft Brasil Ind. Com. Ltda

R. Dom Andrés Lamas, 56

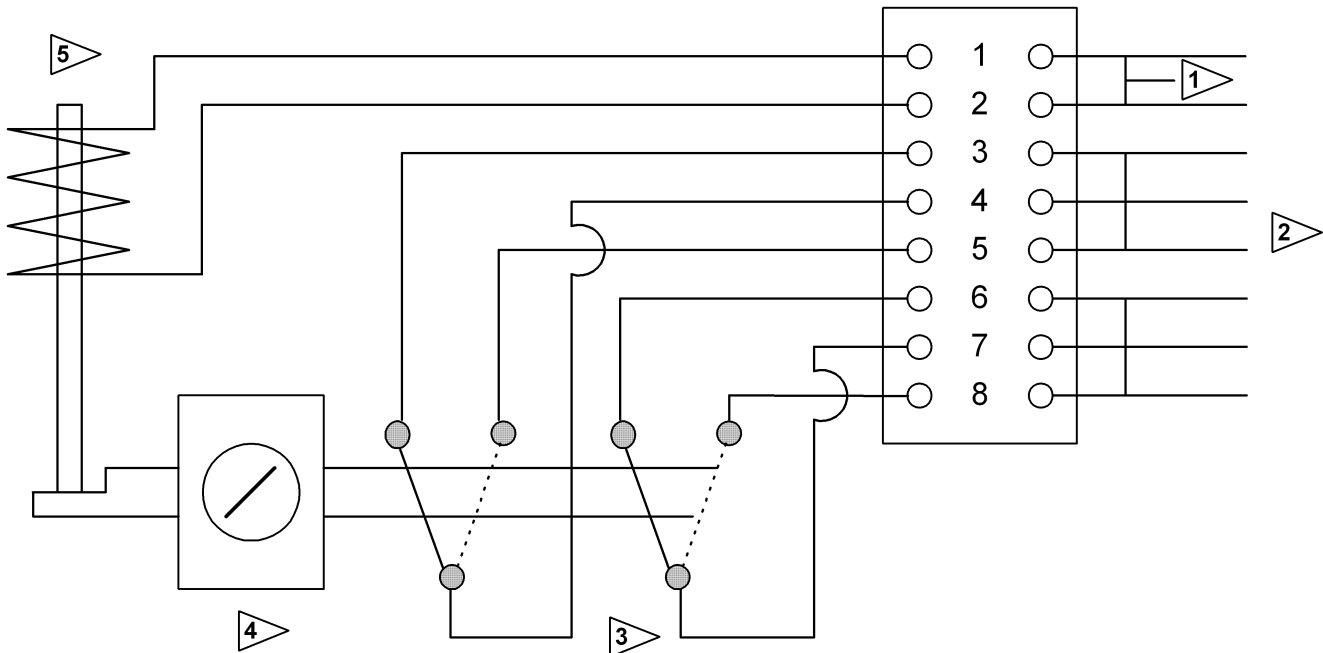
Tataupé São Paulo - SP

(11) 3795-0000

[www.luftbrasil.com.br](http://www.luftbrasil.com.br)



## SKRU Wiring Diagram 156-649



### NOTES:

- 1) Circuit A - Input
- 2) Customer to wire this side only.
- 3) Double-pole, double-throw (DP/DT) auxiliary switch. Circuits 3-4, 6-7 are closed and circuits 4-5, 7-8 are open when the key is trapped in the interlock.
- 4) KIRK® key interlock with key normally trapped in lock. Key removable when solenoid is energized.
- 5) Solenoid (normally de-energized).